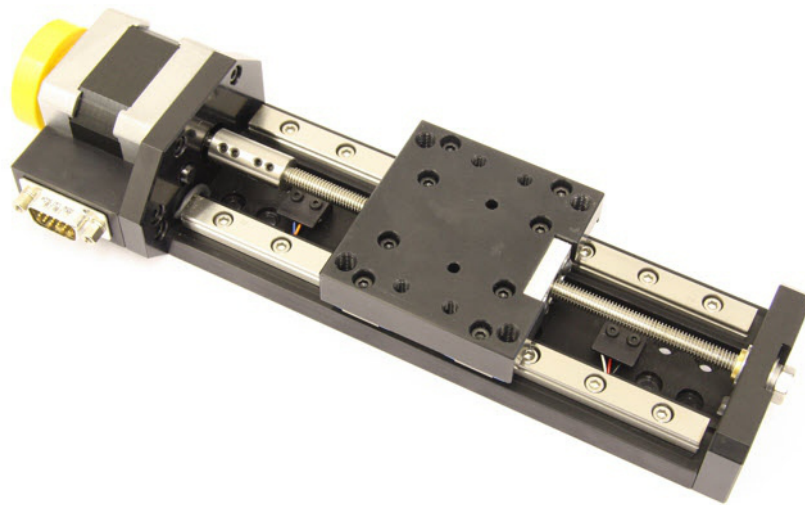


Series 3750 Leadscrew stage

The series 3750 linear stage is a compact design with miniature rail bearings, C7 accuracy 1mm pitch ground leadscrew with anti-backlash nut and is available in travels from 25mm to 150mm. The series 3750 stage offers a compact solution to many positioning requirements. Normally fitted with a 17 frame size stepper motor, it is also possible to specify small servo motors with encoders, offering a wide range of solutions depending on the application. Integral mechanical limit switches are common to all models and connections are made by way of a 15Way high density DType connector.

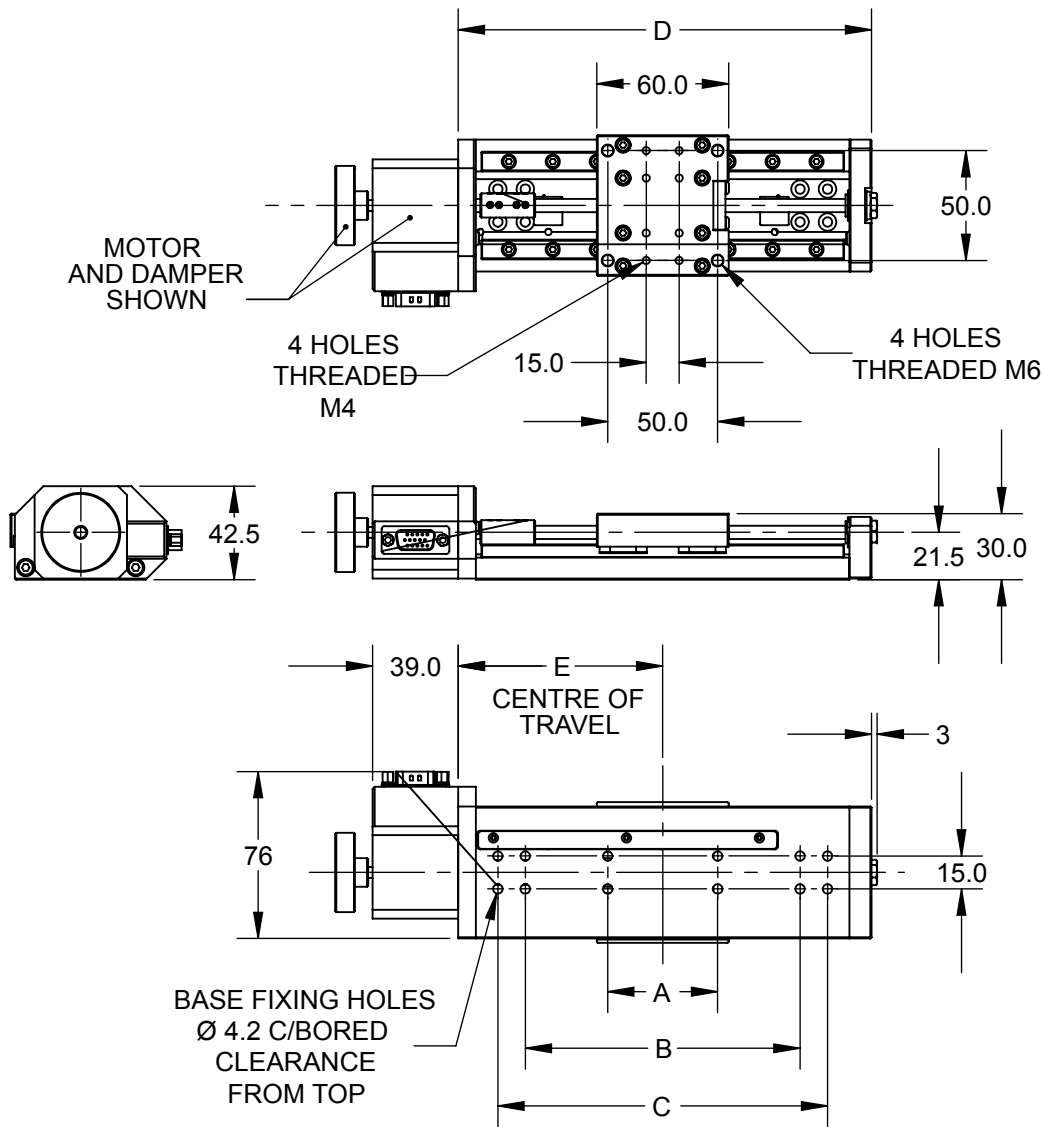


OPTIONAL FEATURES

- X,Y and Z bracketry, standard or custom
- Central Datum (Home) switch

SPECIFICATION

Travel mm	25	50	75	100	150
Leadscrew Drive	Ground, 1mm pitch, anti-backlash nut				
Accuracy	C7 grade				
Resolution	Up to 0.1 μm (subject to control)				
Flatness and Straightness of travel	+/- 1 μm per 12 mm of travel				
Bi-directional repeatability	+/- 5 μm				
Load Capacity (kg)					
Stage Horizontal	10	10	10	10	10
Stage Vertical	4	4	4	4	4
Weight (kg)	0.6	0.65	0.7	0.75	0.85
Materials	Aluminium Alloy and stainless steel				



DIMENSIONS

Max Travel (mm)	Dimensions (mm)				
	A	B	C	D	E
25	50	-	-	113	55.5
50	25	75	-	138	68
75	50	125	-	163	80.5
100	50	125	150	188	93
150	50	125	200	238	118

For connections, see page 38