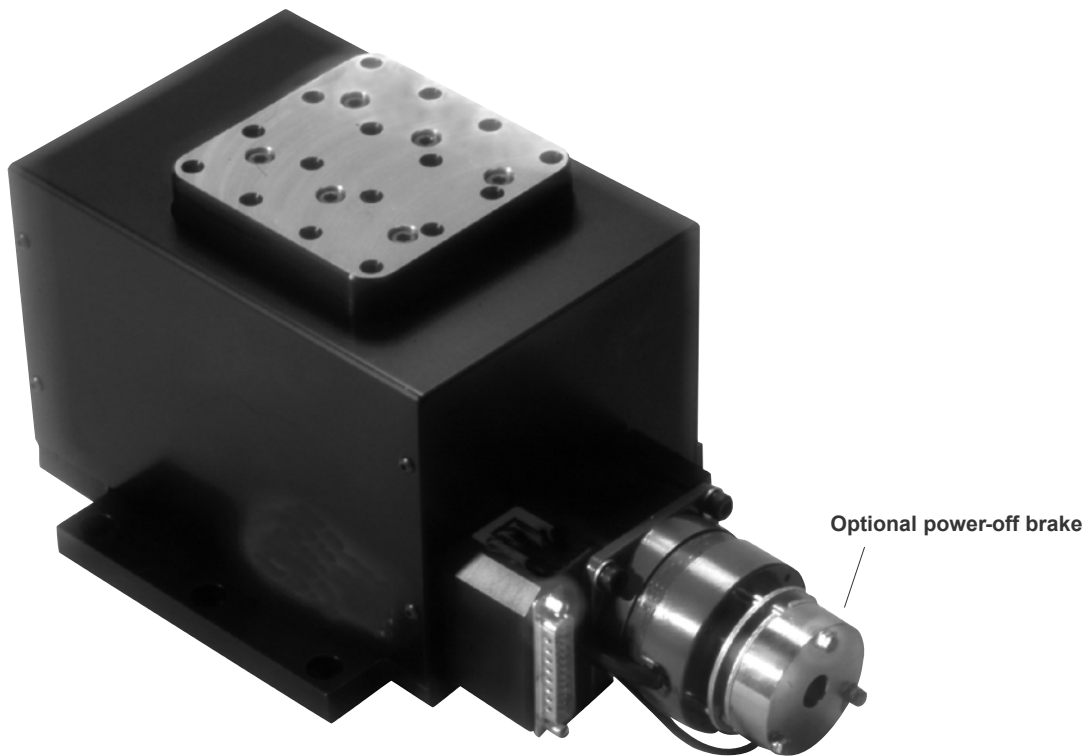


# Series 30000 Vertical lift stage

The Series 30000 provides motorised lift of up to 30mm, to position components in the vertical Z axis.

The elevator mechanism is a moving wedge design with cross roller bearings and a ground ballscrew actuator. The stage may be servo or stepping motor driven. Linear scale feedback is optional.

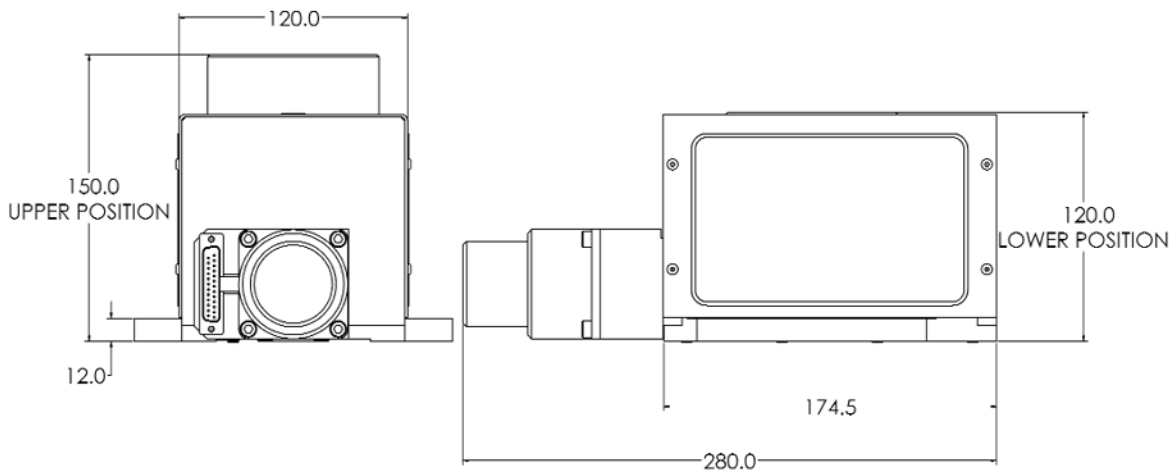
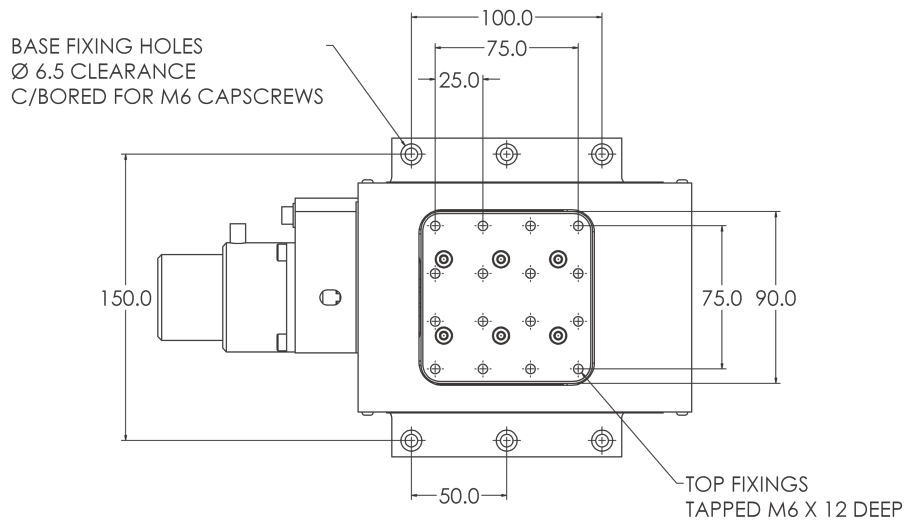


## OPTIONAL FEATURES

- Linear encoder
- Brake
- Manual drive with lock

## SPECIFICATION

Travel mm	30mm
Accuracy	+/- 3 microns with linear encoder
Resolution	1 drive shaft revolution = 0.7mm of Z travel
Load capacity kg	15
Weight kg	5
Materials	Aluminium alloy and stainless steel
Finish	Anodised and dyed black



For connections, see page 34