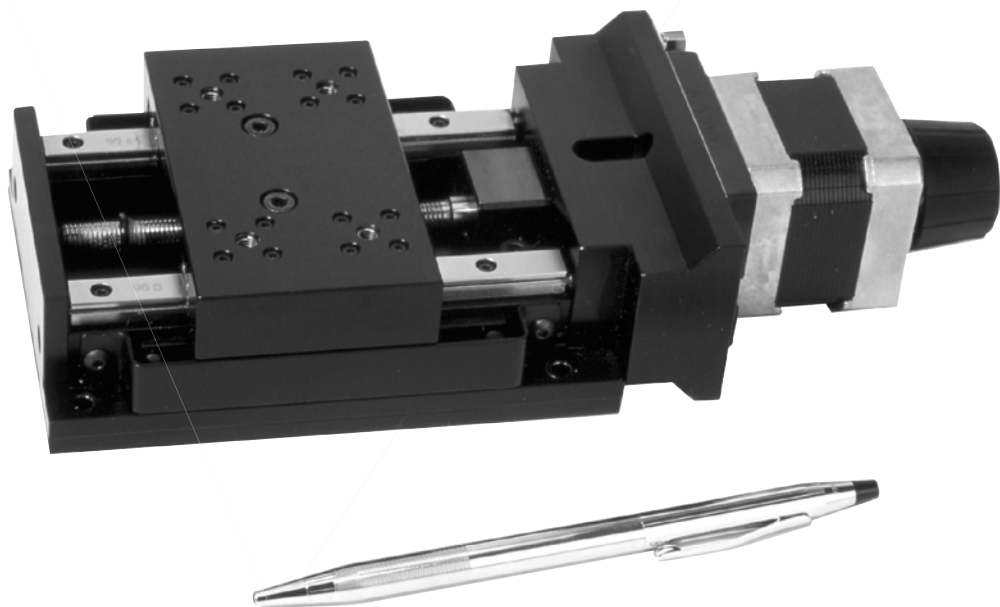


Series 3000 Miniature rail

With miniature rail bearings and a 1mm pitch ground G0 ballscrew, the Series 3000 linear stages offer a compact design with travels of 25, 50, 75 or 100mm. Fitted with either Size 17 stepping motors or miniature servo motors with rear-mounted encoders, they offer resolutions to 0.1 microns.

Mechanical limit and datum switches are integral within the stage. All connections are securely made through a single 15 way D connector. A wide range of MotionLink positioning indexers and controllers are available to control individual or multi-axis configurations.

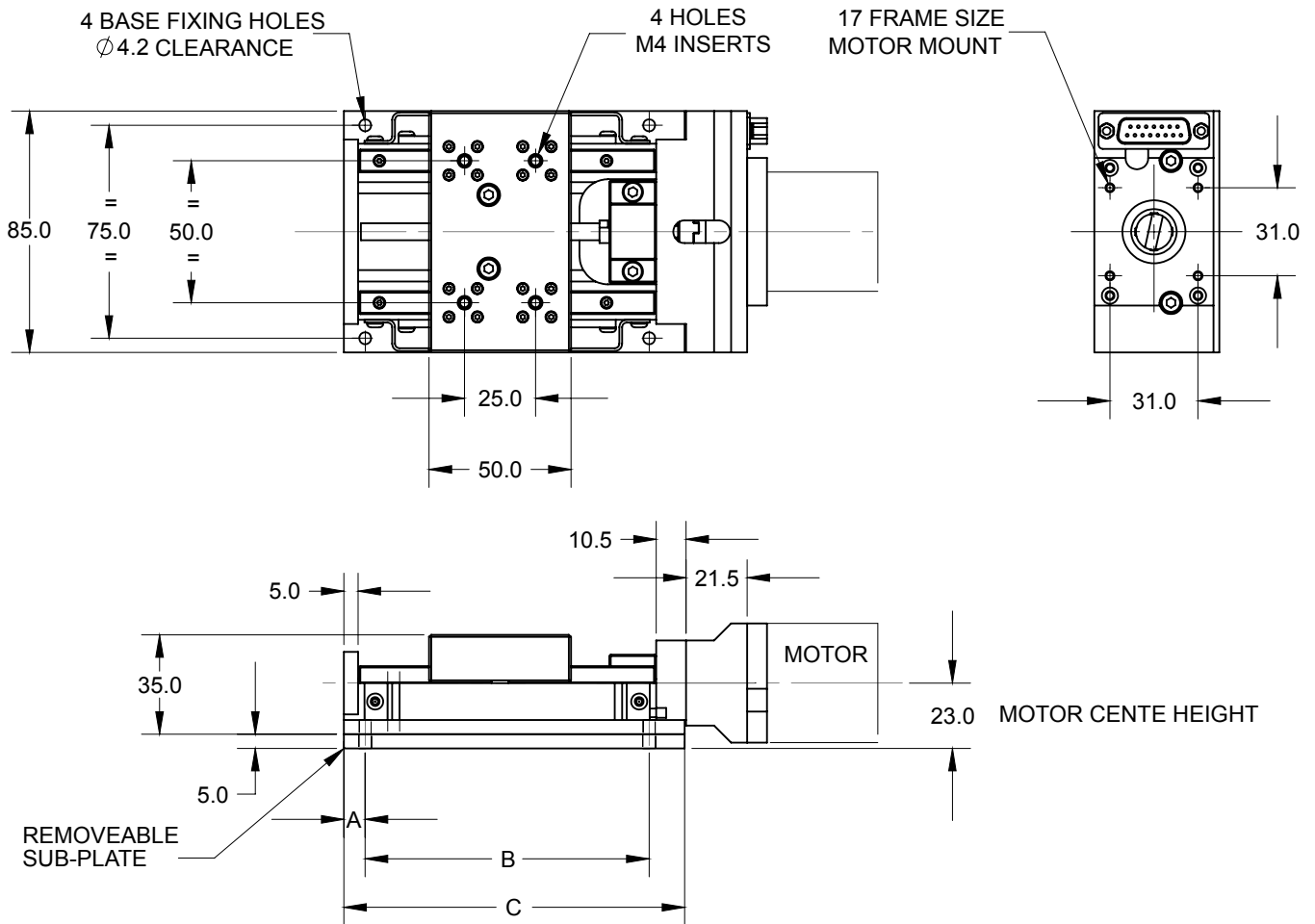


OPTIONAL FEATURES

- XY, XYZ Configurations with customised mechanical fixturing

SPECIFICATION

Travel mm	25	50	75	100
Ballscrew drive	G0, Precision ground, 1mm Pitch			
Accuracy	2 microns per 25mm of travel			
Resolution	1 micron			
Flatness and straightness of travel	+/- 1 micron per 12mm of travel			
Load capacity kg				
Stage vertical	4	4	4	4
Materials	Aluminium alloy and stainless steel			



DIMENSIONS

Max Travel mm	W=85 Dimensions mm		
	A	B	C
25	7.5	75	95
50	7.5	100	120
75	7.5	125	145
100	7.5	150	170

For connections, see page 38