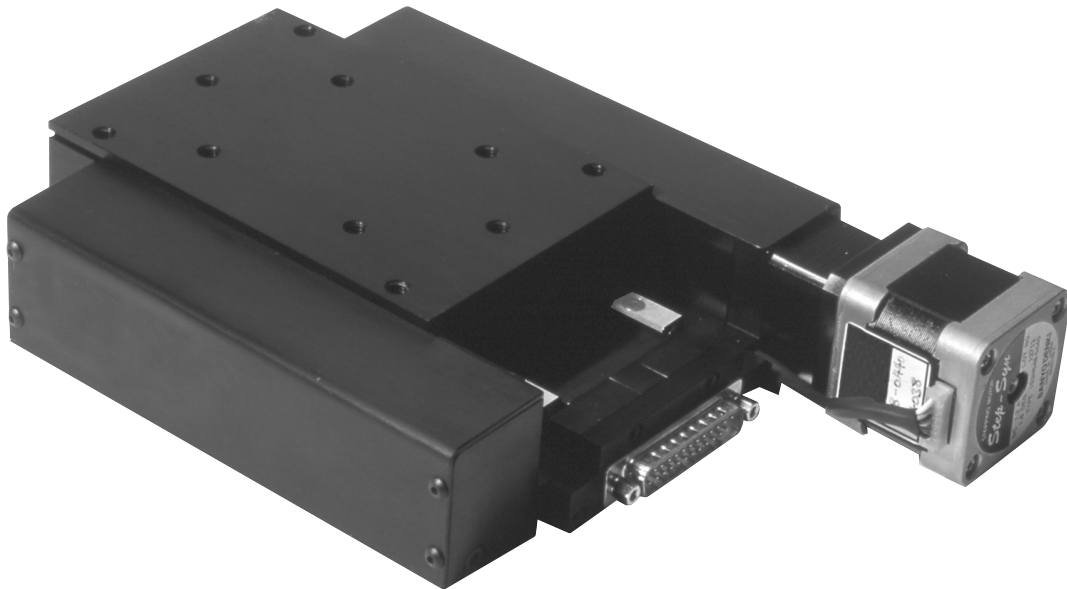


# Series 4000 Low profile

Designed for compact, low-profile and high accuracy applications, the Series 4000 stages use cross-roller bearings and precision G0 ballscrews mounted to one side. Travel range is 25 to 200mm.

This design allows the mounting of high accuracy linear scales, protected, within the stage assembly, on the side opposite the ballscrew. The ratio of base thickness to stage envelope ensures a superior, trajectory performance. Limit and datum switches are also integrated within the stage. High resolution stepping motors, up to 125,000 steps per revolution, or servo motors, are mounted on an adaptable motor mount assembly. All connections are securely made through a single 25 way D connector. A wide range of MotionLink positioning indexers and controllers are available to control individual or multi-axis configurations.

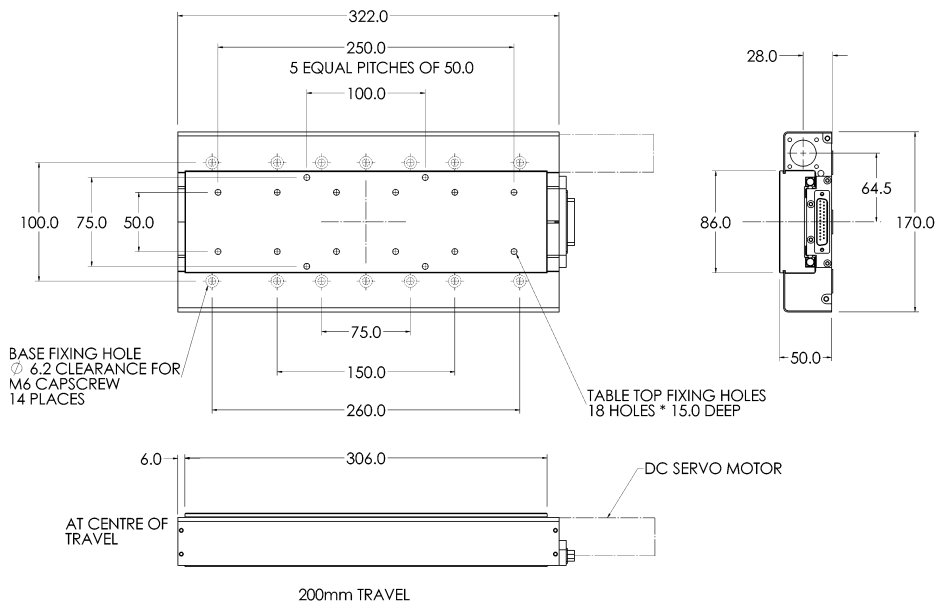
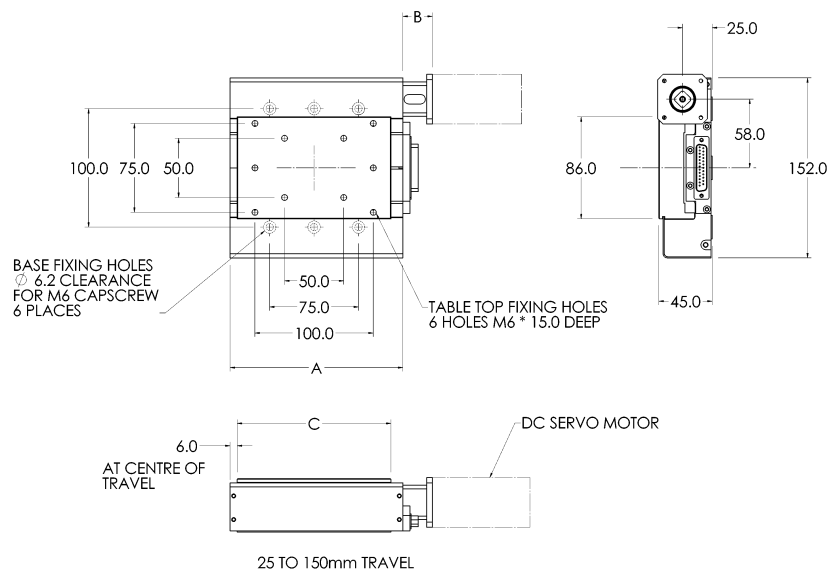


## OPTIONAL FEATURES

- XY, XYZ Configurations with customised mechanical fixturing
- Integral linear encoders to 0.1 micron resolution

## SPECIFICATION

Travel mm	25	50	100	150	200
Ballscrew drive	G0, Precision ground, 1 or 2mm Pitch				
Accuracy	2 microns per 25mm of travel				
Resolution	1 micron standard: 0.1 micron with linear scale				
Flatness and straightness of travel	+/- 1 micron per 25mm of travel				
Bi-directional repeatability	+/- 0.1 micron (with 0.1 micron resolution linear scale)				
Load capacity kg					
Stage horizontal	20	20	20	20	20
Stage vertical	2.2	2.2	2.5	3.3	3.8
Weight kg	0.6	0.65	0.7	0.75	1.5
Materials	Aluminium alloy and stainless steel				
Finish	Anodised and dyed black				



## DIMENSIONS

Max Travel mm	Dimensions mm		
	A	B	C
25	146	25	130
50	146	25	130
100	171	53	155
150	246	78	230
200	As per drawing		

For connections, see page 42