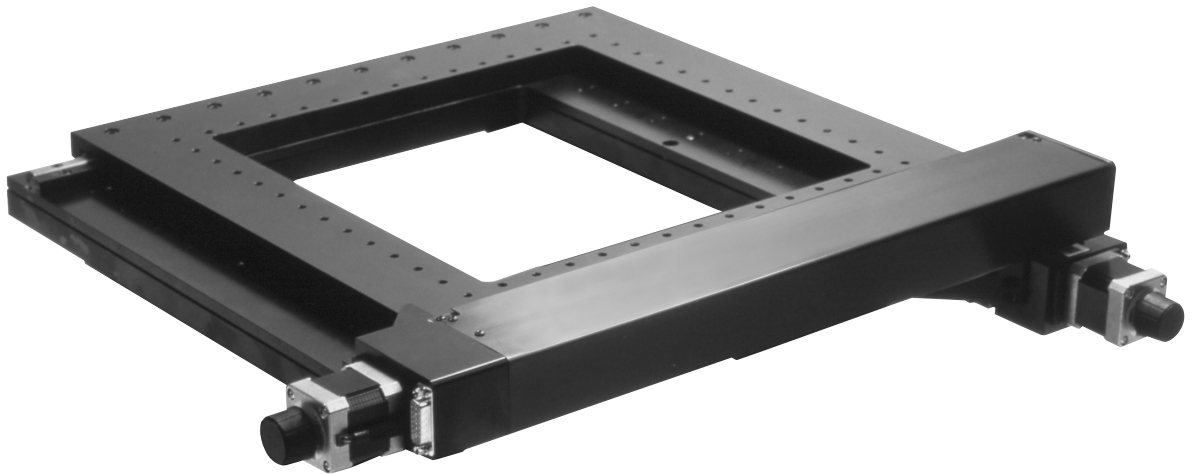


Series 17000 open frame XY

The Series 17000 open-frame XY stages are designed with a low height profile, for optical applications and to fit under most microscopes. The design allows access through the aperture from upper and lower positions. Cross-roller bearings and ground ballscrews give excellent straightness and flatness characteristics with high accuracy and repeatability.

Stepping motor or servo motor control is available, with Limit and Datum switches fitted as standard. All motor, switch and encoder connections are made through D Type connectors on each axis.

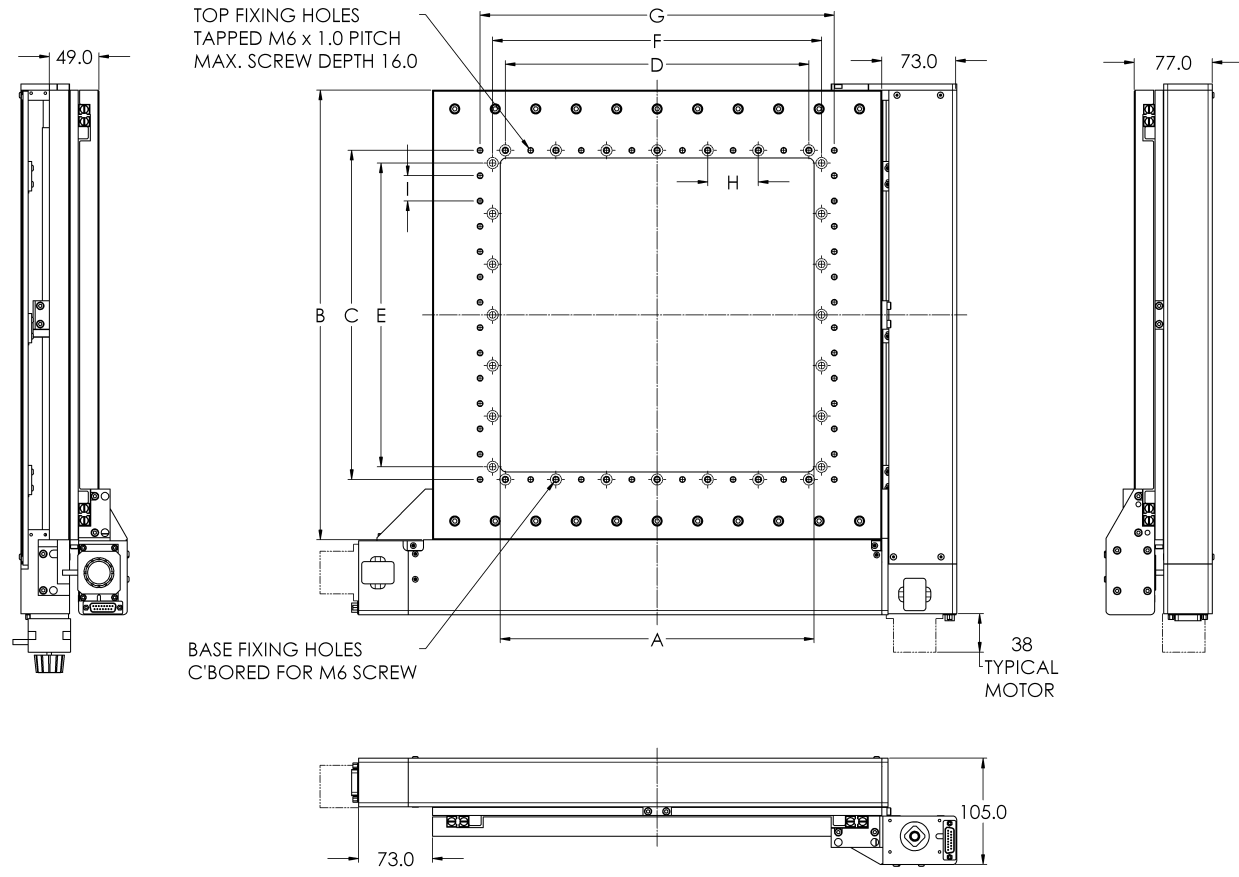


OPTIONAL FEATURES

- Linear encoders
- Specialised fixturing

SPECIFICATION

Travel XYmm	100x100	250x250	300x300
Ballscrew drive	G0, precision ground, 2mm pitch		
Accuracy	2 microns per 25mm of travel		
Resolution	1 micron standard		
Flatness and straightness of travel	+/- 2 microns per 25mm of travel		
Bi-directional repeatability	2 microns (closed loop servo)		
Load capacity kg			
Stage horizontal	25	25	25
Stage vertical	25	25	25
Weight kg	8	12	16
Materials	Aluminium alloy and stainless steel		
Finish	Anodised and dyed black		



DIMENSIONS

Max XY travel mm	Dimensions mm								
	A	B	C	D	E	F	G	H	I
100	100	204	150	75	-	-	150	25	25
250	250	364	275	250	-	-	275	25	25
300	310	444	325	300	300	325	350	50	25

For connections, see page 42